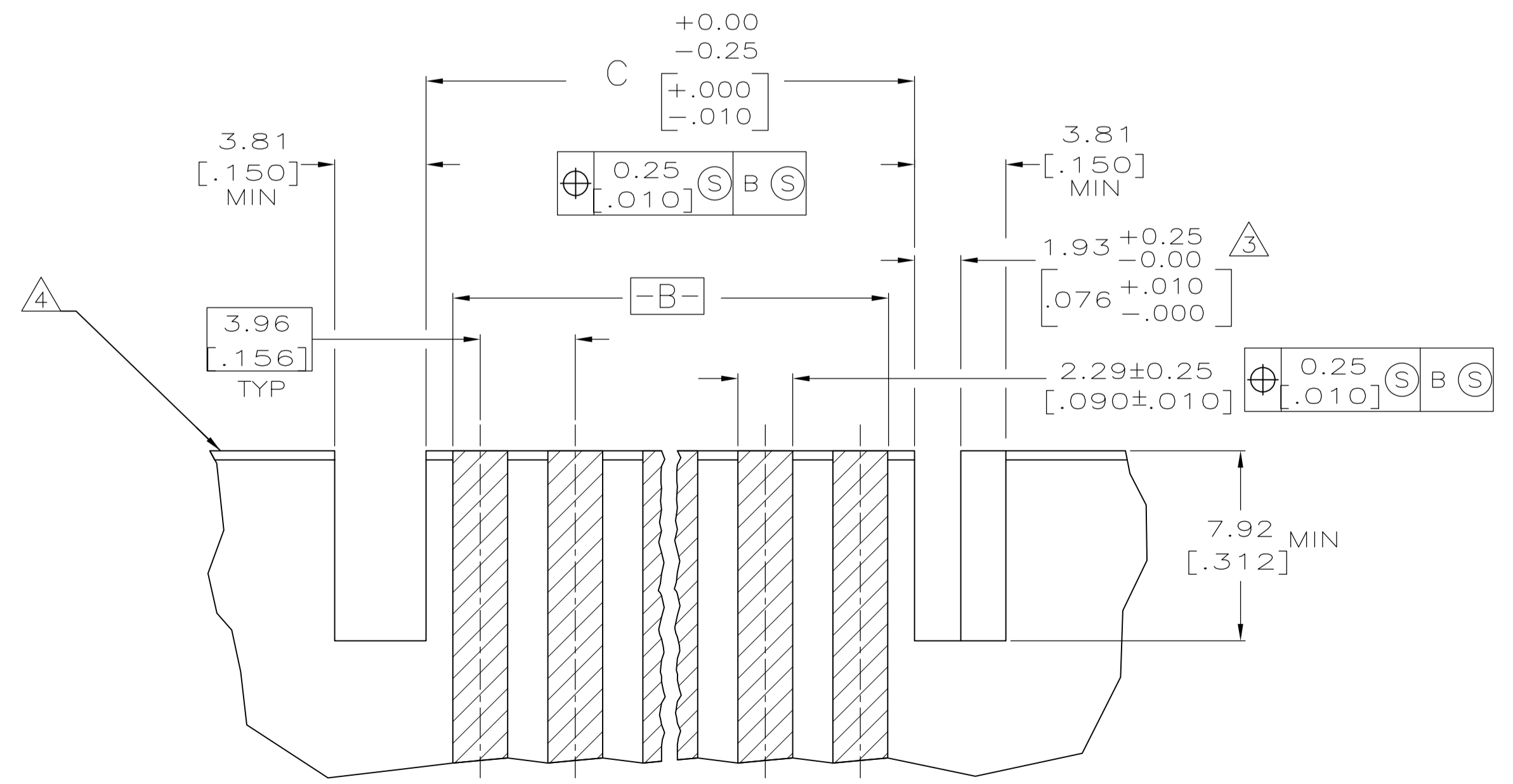
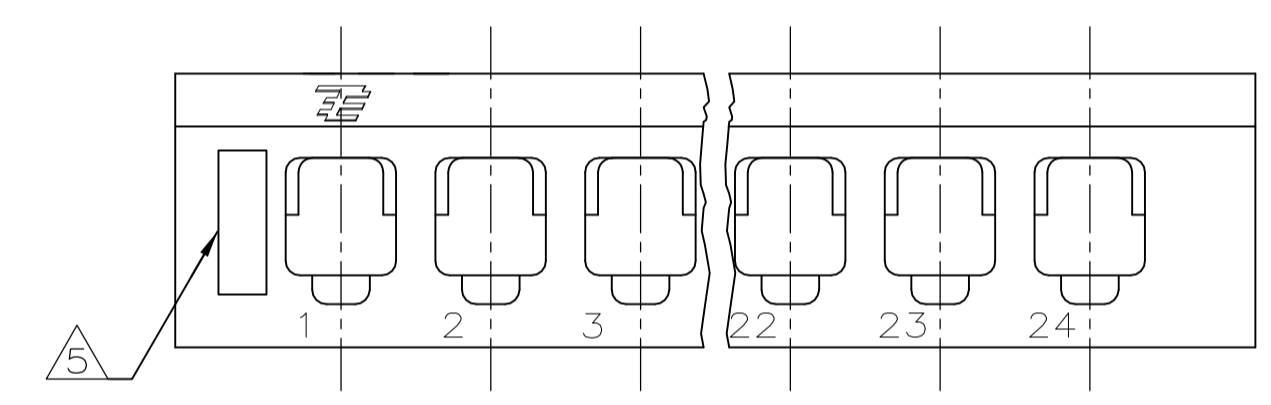
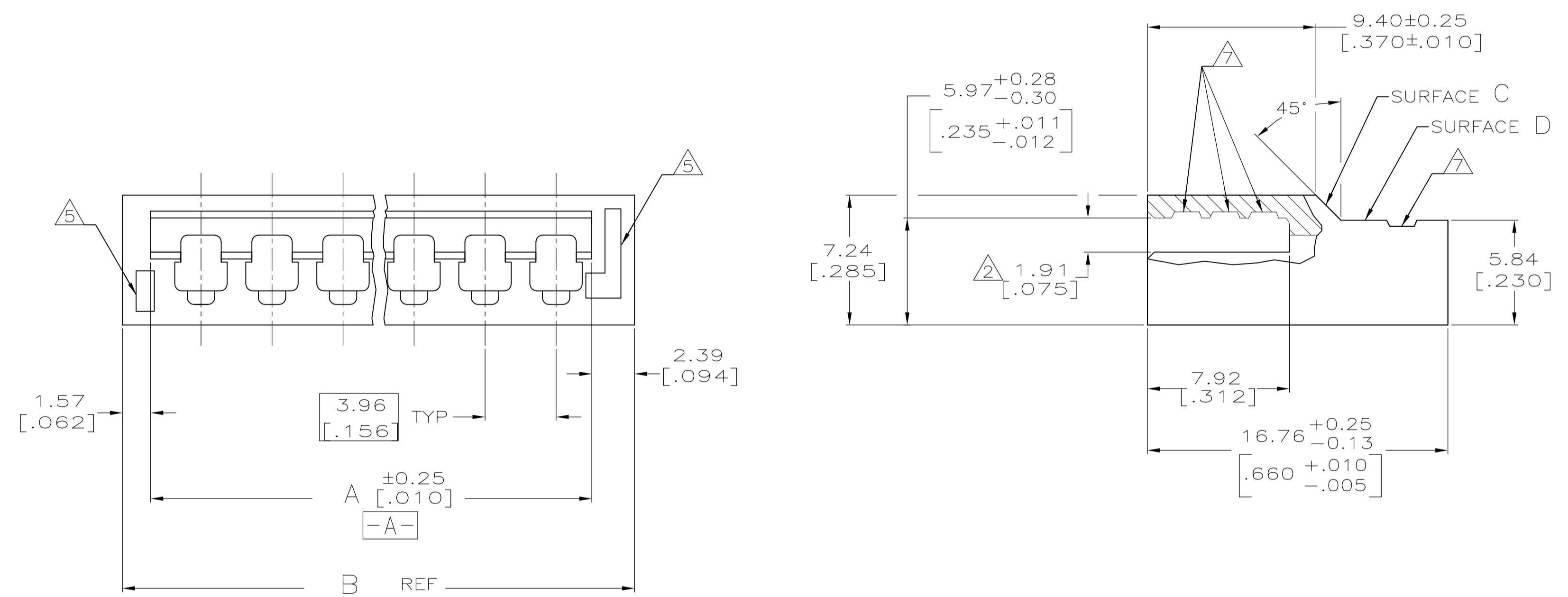


1. HOUSING ACCEPTS CONTACTS P/N 61668 OR 350194.
2. MEASURED AT ENDS OF CARD SLOT.
3. RECOMMENDED CUTOUT FOR HOUSING POLARIZATION, WHERE REQUIRED.
4. 0.38 [.015] MIN X 45° CHAMFER RECOMMENDED ON BOTH SIDES OF BOARD.
5. CORING OPTIONAL.
6. OPTIONAL FROSTED SURFACE LOCATED ON \perp OF CIRCUIT NO. 1; ANOTHER OPTION IS A RECESSED TRIANGLE ON SURFACE C WITH A FROSTED AMP LOGO ON SURFACE D.
7. OPTIONAL PULL GROOVE AS REQUIRED FOR MOLDING.
8. DIMENSIONS IN BRACKETS ARE IN INCHES.
9. OBSOLETE PARTS: OBSOLETE CIS STREAMLINING PER D.RENAUD/D.SINISI
10. REFER INSTRUCTION SHEET 408-6560 FOR ASSEMBLY



RECOMMENDED LAYOUT PATTERN FOR 1.575±0.191 [.0620±0.0075] THICK P.C. BOARD INCLUDING CIRCUITRY

OBsolete	87.83[3.458]	92.08[3.625]	88.11[3.469]	22	-2-640136-2-
OBsolete	71.96[2.833]	76.20[3.000]	72.24[2.844]	18	-1-640136-8-
OBsolete	64.01[2.520]	68.25[2.687]	64.29[2.531]	16	-1-640136-6-
OBsolete	60.05[2.364]	64.29[2.531]	60.33[2.375]	15	-1-640136-5-
OBsolete	48.13[1.895]	52.37[2.062]	48.41[1.906]	12	-1-640136-2-
OBsolete	44.17[1.739]	48.41[1.906]	44.45[1.750]	11	-1-640136-1-
OBsolete	40.21[1.583]	44.45[1.750]	40.49[1.594]	10	-1-640136-0-
	36.25[1.427]	40.49[1.594]	36.53[1.438]	9	640136-9
	32.26[1.270]	36.50[1.437]	32.54[1.281]	8	640136-8
OBsolete	28.30[1.114]	32.54[1.281]	28.58[1.125]	7	-640136-7-
	24.33[.958]	28.58[1.125]	24.61[.969]	6	640136-6
OBsolete	20.37[.802]	24.61[.969]	20.65[.813]	5	-640136-5-
	16.38[.645]	20.62[.812]	16.66[.656]	4	640136-4
	8.46[.333]	12.70[.500]	8.74[.344]	2	640136-2

THIS DRAWING IS A CONTROLLED DOCUMENT.		DIN K. SALMON 2-20-92	TE Connectivity	
		CHK R. SWING 2-20-92		
DIMENSIONS: MM [INCHES]	TOLERANCES UNLESS OTHERWISE SPECIFIED:	APVD W. LONG 4-24-92	NAME	
0 PLC ± -	1 PLC ± -	PRODUCT SPEC		
2 PLC ± 0.13 [.005]	3 PLC ± -	108-1020		
4 PLC ± -	ANGLES ± -	APPLICATION SPEC		
MATERIAL POLYESTER, UL94V-0 (NATURAL)		FINISH -	WEIGHT -	SIZE A1
		CUSTOMER DRAWING		SCALE 5:1 SHEET 1 OF 1 REV U3